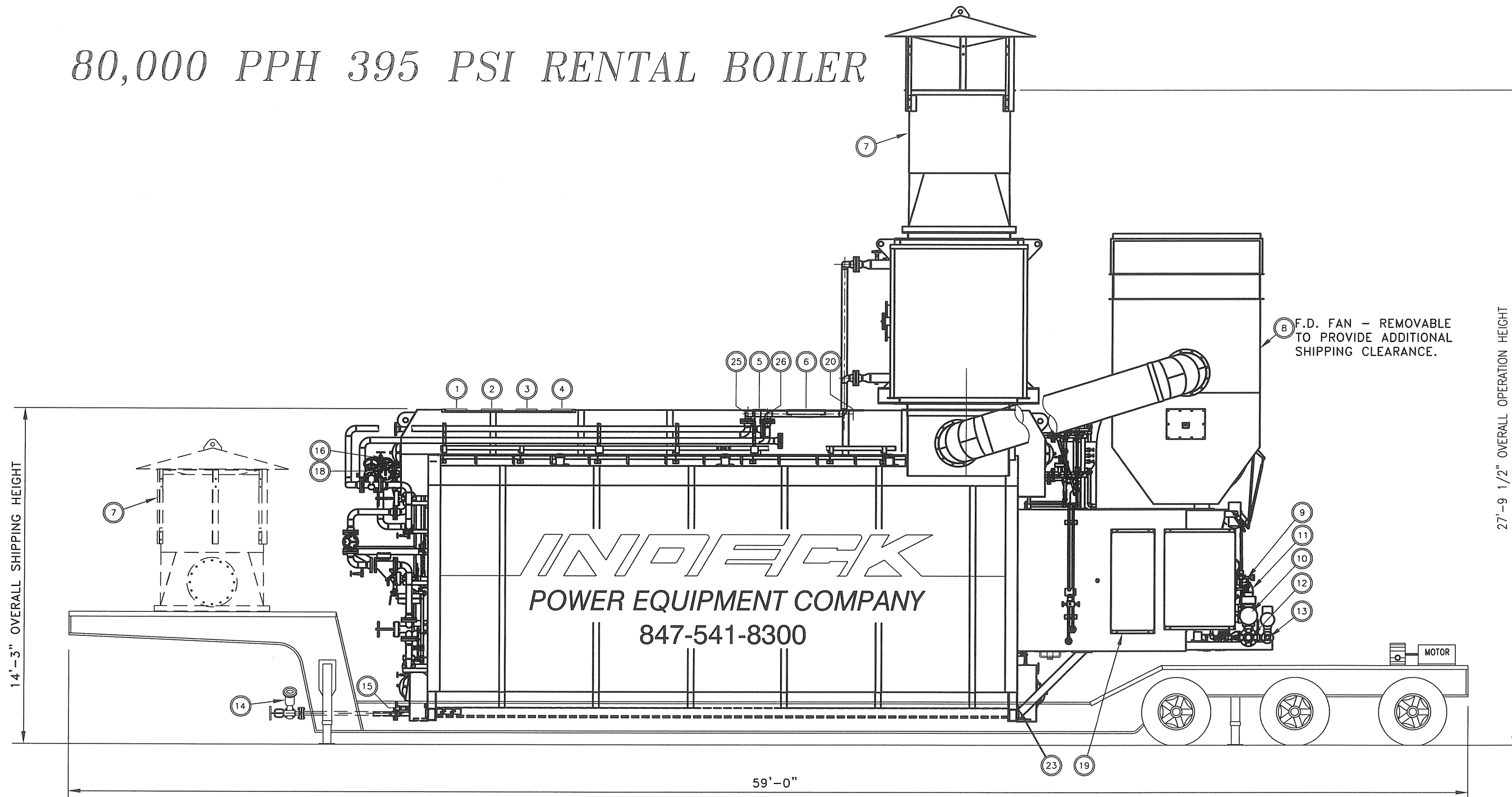


80,000 PPH 395 PSI RENTAL BOILER



STEAM

1. 2 1/2"-300# SPARE (BLANKED)
2. 2 1/2"-300# SPARE (BLANKED)
3. 2 1/2"-300# SAFETY VALVE CONNECTION (SAFETY VALVE MUST BE REMOVED FOR TRANSPORT)
4. 2"-300# SAFETY VALVE CONNECTION (SAFETY VALVE MUST BE REMOVED FOR TRANSPORT)
5. 1" NPT DRUM VENT / AUX CONNECTION
6. 8"-300 # MAIN STEAM OUTLET CONNECTION
14. 1-1/2"-300# MUD DRUM BLOW OFF
15. 1-1/2"-300# LOW DRUM HEATING COIL CONNECTIONS ARE BLANKED.
17. 1" CONTINUOUS BLOWDOWN CONNECTION *
20. 2"-300# SOOT BLOWER STEAM SUPPLY CONNECTION* (BLANK ON FAR SIDE)

BOILER FEEDWATER

18. 2-1/2"-300# FEEDWATER SUPPLY CONNECTION

FUEL GAS

7. FLUE GAS STACK AND TRANSITION (REMOVED FOR TRANSPORT)
10. 3/4" NPT PILOT GAS CONNECTIONS (NATURAL OR PROPANE)
12. 4"-150 # FUEL GAS CONNECTION
13. 2"-150 # GAS VENT OUTLET

FUEL OIL

11. 3/4" NPT FUEL OIL INLET (LOCATED ON END OF TRAILER)

ATOMIZING STEAM

9. 1 1/2"-300# AUX ATOMIZING AIR / STEAM CONNECTION (LOCATED BEHIND CABINET)

ELECTRICAL

19. 480/60/3 POWER SUPPLY 179 AMPS

MISC.

8. F.D. FAN HOUSING
16. 1" NPT CHEMICAL FEED CONNECTION (LOCATED ON OPPOSITE SIDE OF TRAILER)
21. 2"-300# CHEMICAL CLEANING CONNECTION
22. 3/4" NPT FURNANCE PRESS CONNECTION *
23. WASHOUT
24. 1" NPT INSTRUMENT AIR CONNECTION *

NOTE 1: A NATURAL GAS OR PROPANE PILOT IS REQUIRED FOR OIL

NOTE 2: PROVIDE ADEQUATE WEATHER PROTECTION FOR BURNER, CONTROLS AND PERSONNEL

* - NOT SHOWN FOR CLARITY

DESIGN DATA

OVERALL HEIGHT:	14'-3"
OVERALL LENGTH:	59'-0"
OVERALL WIDTH:	10'-6"
NET WEIGHT (INCL TRAILER):	94,600 LBS
CONTINUOUS CAPACITY:	80,000 PPH
DESIGN PRESSURE:	395 PSIG
FEEDWATER TEMPERATURE:	230 DEG F
FURNACE VOLUME:	1,105 CU. FT.
CONVECTION HEATING SURFACE:	4,370 SQ. FT.
RADIANT HEATING SURFACE:	783 SQ. FT.
TOTAL HEATING SURFACE:	5,153 SQ. FT. (A.S.M.E.)
GAS SUPPLY PRESSURE	15 PSIG (REGULATED BY CUSTOMER)
OIL SUPPLY PRESSURE	30 PSIG FLOODED MAX.
FEED WATER PRESSURE	75-100 PSIG ABOVE OPERATING PRESSURE
INSTRUMENT AIR PRESSURE	60 PSIG MIN.

INDECK
POWER EQUIPMENT COMPANY
847-541-8300

INDECK 80,000 PPH RENTAL BOILER

1111 WILLIS AVENUE · WHEELING, ILLINOIS 60090
WWW.INDECK.COM

INDECK POWER EQUIPMENT COMPANY Ph. 847-541-8300