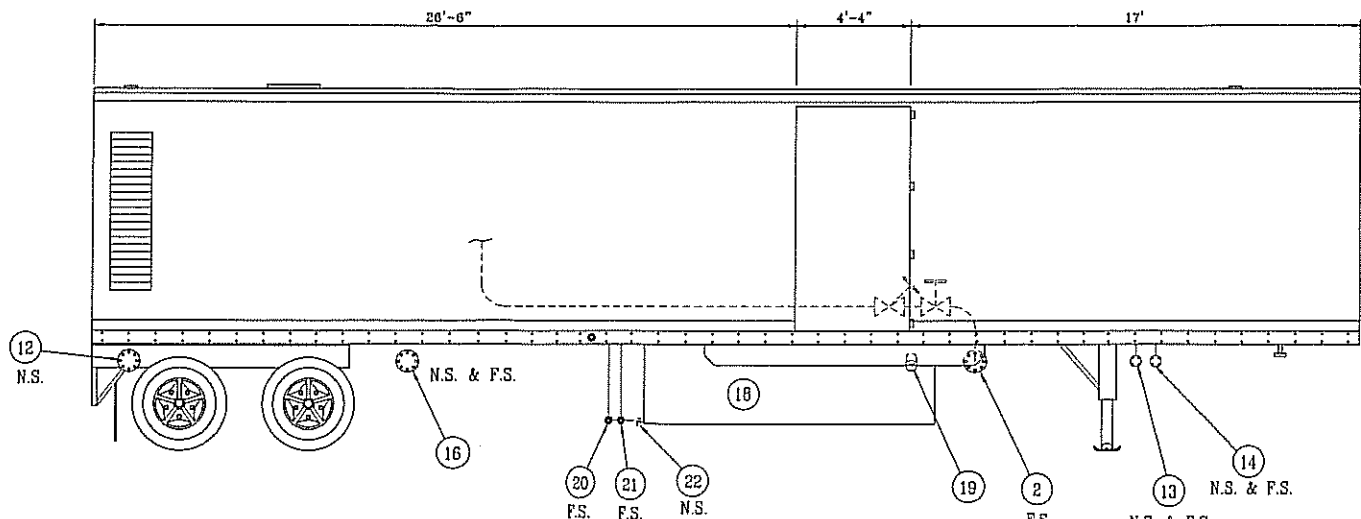
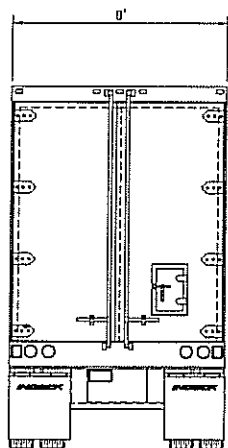


RIGHT SIDE SHOWN



1. 250 BHP STEAM GENERATOR
2. 4" 300# FLANGRD CONNECTION (STEAM OUTLET)
3. BOILER CONTROL PANEL
4. WATER HEATER CONTROL PANEL
5. CHEMICAL FEED TANK
6. WATER HEATER
7. SOFTENER TANKS
8. BRINE TANK
9. HEATER
10. 480 VAC 3P 60HZ POWER FEED CONN. (100 AMP REQUIREMENT)
11. B.D. SEPERATOR
12. BLOWDOWN & DRAIN

13. 1 1/2" 150# FLG. CONN. FOR WATER TREATMENT SYSTEM
14. 1 1/2" 150# FLG. CONN. FOR FEEDWATER SUPPLY
15. FEEDWATER BOOSTER PUMP (2) TWO
16. 3" BOILER DRAIN
17. EXHAUST FANS
18. FUEL OIL STORAGE TANK. (APPROX. 975 GAL.)
19. 3" NPT GRAVITY FUEL OIL FILL
20. 1 1/2" THD. CAP FUEL OIL CONN.
21. 1" THD. PLUG FUEL OIL CONN.
22. 2" NPT FUEL DRAIN

REV	DATE	DESCRIPTION	CHN BY	APP BY
0	5/29/02	AS BUILT	YWH	WGW

INDEX FILE NO. 105220-100V			
THIS DESIGN OR DRAWING IS NOT SOLD AND IS LOANED TO NEAL REPRESENTATION OR COPIES HEREIN ARE RETURNED SOLELY TO NEAL POWER EQUIPMENT COMPANY. THE DRAWING HAS BEEN DELIVERED AND RECEIVED ON THE EXPRESSED UNDERSTANDING THAT IF IT IS NOT USED BY THE BUYER, THE INTEREST AND BENEFITS OF NEAL POWER EQUIPMENT COMPANY, AND THAT THE DRAWING AND ALL COPIES OF IT WILL BE RETURNED TO NEAL POWER EQUIPMENT COMPANY, INDICATELY ON DEMAND, AND THAT ALL INFORMATION DISCLOSED BY THIS DRAWING TO THE HOLDER SHALL BE HELD IN CONFIDENCE.			
<b>INDECK</b>			
NEAL POWER EQUIPMENT COMPANY, 1111 WOOD AVENUE, WHEELING, MICHIGAN 49094			
ITEM# 105220			
TLR, 250HP, 150P, V/3, 03-10200, 180V			
GENERAL ARRANGEMENT			
DATE	5/13/02	DESIGN BY	WJH
SCALE		CHECK BY	WJH
REV	0	DRAWING NAME	105220-100V