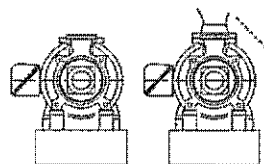
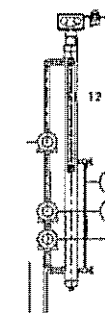
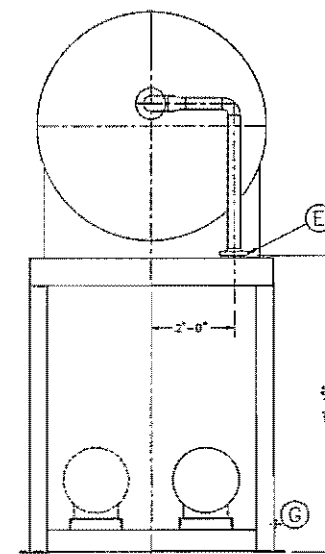
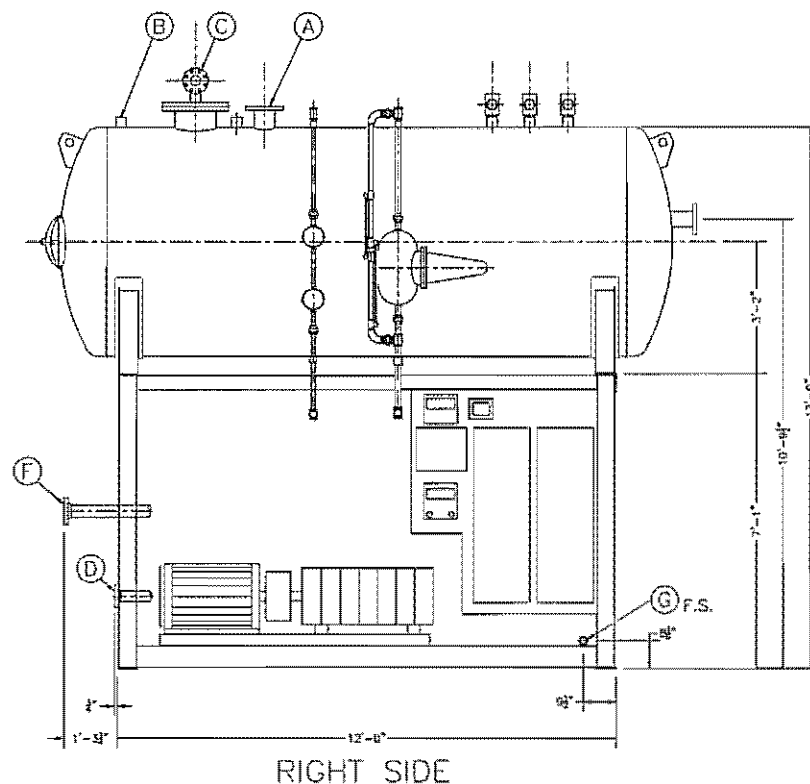
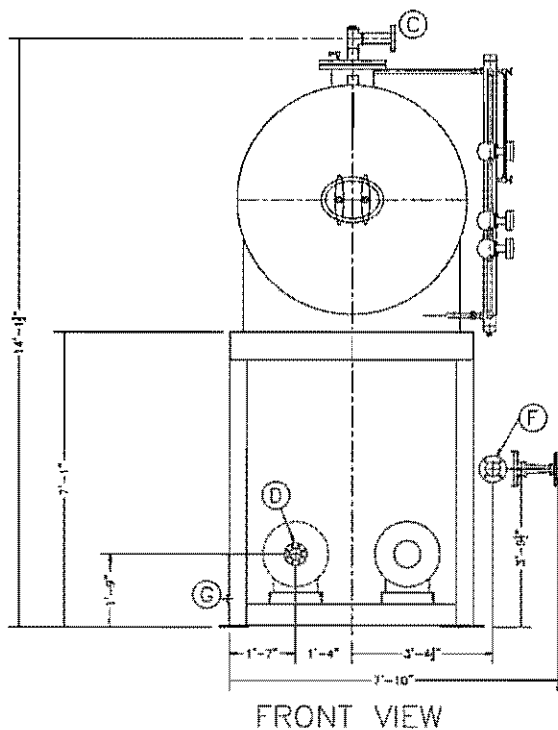
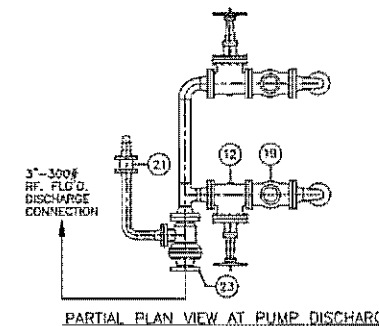
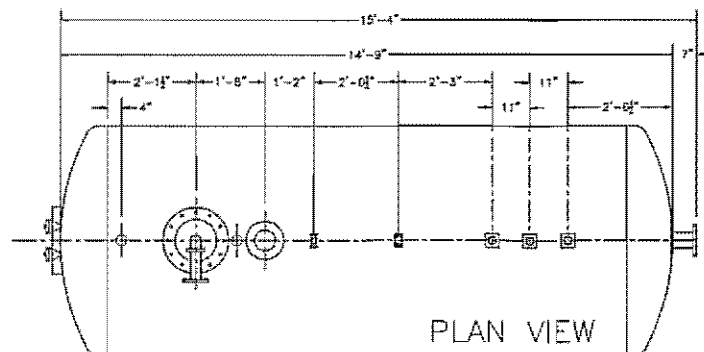
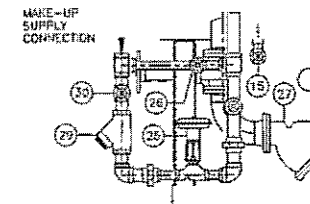


DA CONNECTIONS

- A. STEAM INLET 6" 150# F.F. FLG.
- B. HIGH TEMPERATURE RETURN 3" NPT.
- C. WATER INLET 2 1/2" 150# R.F. FLG.
- D. PUMP DISCHARGE CONNECTION 2" 300# R.F. FLG.
- E. OVERFLOW CONNECTION - 4" 150# F.F. FLG.
- F. WATER INLET 3" 150# R.F. FLG.
- G. DRAIN CONNECTION - 2" NPT.

NOTE:

INDECK PROVIDES THE PIPING FROM CONNECTION "F" TO "C".



THIS COPY OF DRAWING IS NOT SOLD AND IS SUBJECT TO RECALL, REPRODUCTION OR COPYING WITHOUT THE WRITTEN CONSENT OF INDECK POWER EQUIPMENT COMPANY. THE DRAWING HAS BEEN PREPARED AND ISSUED ON THE EXPRESSED UNDERSTANDING THAT IT IS NOT TO BE USED IN ANY MANNER AGAINST THE INTERESTS AND BENEFITS OF INDECK POWER EQUIPMENT COMPANY, AND THAT THIS DRAWING AND ALL COPIES OF IT WILL BE RETURNED TO INDECK POWER EQUIPMENT COMPANY IMMEDIATELY ON DEMAND, AND THAT ALL INFORMATION DISCLOSED BY THIS DRAWING TO THE HOLDER SHALL BE HELD IN CONFIDENCE.

REV	DATE	DESCRIPTION	DRWN BY	APPV BY
A	08/17/10	RETRIEVE PDF FILE TRACE DRUM GEOMETRY	AAL	AAL
B	08/27/10	TRACE DRUM CONNECTIONS GATHER AS-BUILD DIMS	AAL	AAL
C	08/03/10	TAKE PHOTOS AND SHOP DIMS OF BASE FRAME	AAL	AAL
D	08/10/10	SHOP DIMS FRAME, PHOTOS OF STACKED EQUIPMENT	AAL	AAL
E	08/24/10	ADD DRUM DIMENSIONS PLAN VIEW, SUPPLY CONNL	AAL	AAL
F	10/01/10	ADD DALLONS AND BILL OF DA CONNECTIONS	AAL	AAL
G	10/08/10	ADD CONTROL CABINETS AND BOXE, PUMP DETAIL	AAL	AAL
I	10/07/11	CORRECT WATER INLET SIZES. ADDED NOTE.	LI	LI

INDECK
INDECK POWER EQUIPMENT COMPANY, 1111 WILLES AVENUE, WHEELING, ILLINOIS 60090

DEAERATOR

70K DA PROJECT 107079

GENERAL ARRANGEMENT - GENERAL DIMENSIONS

DATE: 08/17/2010 DRAWN BY: AAL REV: DIVISION: H HEDERED BY: H FOR REFERENCE ONLY