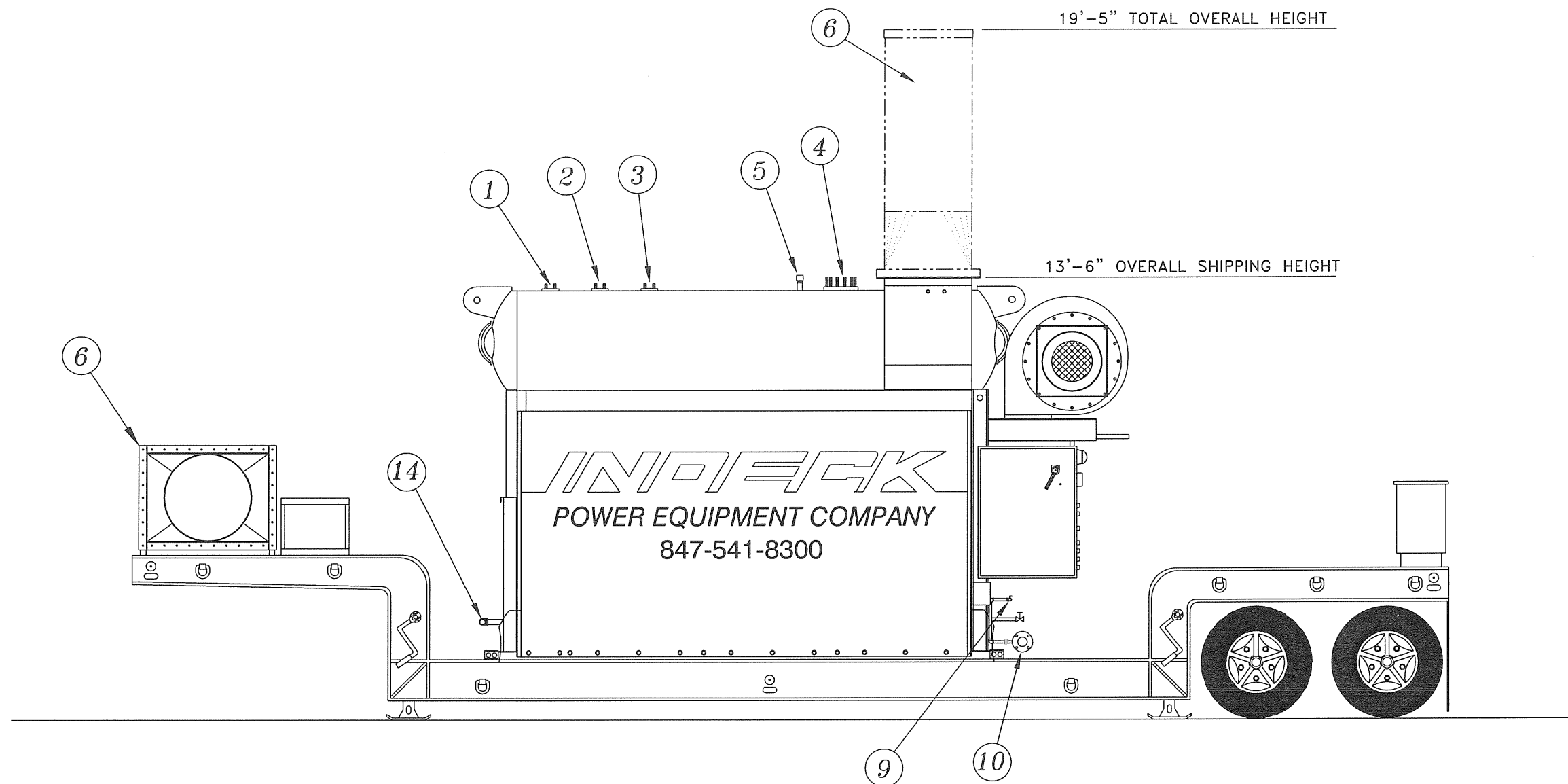


30,000 PPH 300 PSI RENTAL BOILER



INSTALLATION SERVICE CONNECTIONS

1. 2"-300# SAFETY VALVE CONNECTIONS
(SAFETY VALVE MUST BE REMOVED FOR TRANSPORT)
2. 2"-300# SAFETY VALVE CONNECTIONS
(SAFETY VALVE MUST BE REMOVED FOR TRANSPORT)
3. 1 1/2" FLANGED SAFETY VALVE CONNECTION
(SAFETY VALVE MUST BE REMOVED FOR TRANSPORT)
(& FOR LOW PRESSURE OPERATION ONLY)
4. 6"-300 # MAIN STEAM OUTLET CONNECTION
5. 1 1/2" NPT DRUM VENT / AUX CONNECTION
6. FLUE GAS STACK AND TRANSITION
(REMOVED FOR TRANSPORT)
7. 1" NPT AUX ATOMIZING / STEAM CONNECTION
(LOCATED BEHIND CABINET)
8. 1/2" NPT PILOT GAS CONNECTIONS (NAT OR PROPANE)
(LOCATED BEHIND CABINET)
9. 1 1/2" NPT FUEL OIL SUPPLY CONNECTION
(LOCATED ON OPPOSITE SIDE OF TRAILER)
10. 3"-150 # FLANGED FUEL GAS CONNECTION
11. 1-1/2"-300 # BLOW OFF CONNECTION
(LOCATED ON OPPOSITE SIDE OF TRAILER)
12. 3/4" NPT CHEMICAL FEED CONNECTION
13. 1" CONTINUOUS BLOWDOWN CONNECTION
(LOCATED ON OPPOSITE SIDE OF TRAILER)
14. 1-1/2"- FEEDWATER SUPPLY CONNECTION (FEMALE)
15. 460/60/3 POWER SUPPLY 60 AMPS

DESIGN DATA

OVERALL LENGTH:	40'-0"
OVERALL WIDTH:	8'-0"
NET WEIGHT (INCL TRAILER):	56,035 LBS
CONTINUOUS CAPACITY:	30,000 PPH
DESIGN PRESSURE:	300 PSIG
FEEDWATER TEMPERATURE:	220 DEG F
FURNACE VOLUME:	962 CU. FT.
CONVECTION HEATING SURFACE:	4777 SQ. FT.
RADIANT HEATING SURFACE:	651 SQ. FT.
TOTAL HEATING SURFACE:	2351 SQ. FT. (A.S.M.E.)
GAS SUPPLY PRESSURE	8.0 PSIG (REGULATED BY CUSTOMER)
OIL SUPPLY PRESSURE	30 PSIG FLOODED MAX.
FEED WATER PRESSURE	60-100 PSIG ABOVE OPERATING PRESSURE

NOTE: A NATURAL GAS OR PROPANE PILOT IS
REQUIRED FOR OIL
NOTE 2: PROVIDE ADEQUATE WEATHER
PROTECTION FOR BURNER, CONTROLS
AND PERSONNEL

INDECK 30,000 PPH RENTAL BOILER

INDECK POWER EQUIPMENT COMPANY 1111 WILLIS AVENUE · WHEELING, ILLINOIS 60090
Ph. 847-541-8300 WWW.INDECK.COM